

42000 SERIES SIZE 17 DOUBLE STACK HYBRID LINEAR STEPPER ACTUATOR



Size11:28mm Double Stack Hybrid Linear Stepper Motor(1.8°Step Angle)

Captive	Non-captive	External Lin.	Wiring	Rated voltage	Rated current	Resistance /phase	Inductance /phase	Power consumption	Temperature rise	Weight	Insulation resistance
42CC4(X)-V	42NC4(X)-V	42EC4(X)-V	Bipolar	2.33V	2.6A	0.9Ω	1.33mH	14W	75°C	352g	20MΩ
				5V	1.3A	3.8Ω	8.21mH				
				12V	0.55A	21.9Ω	45.1mH				

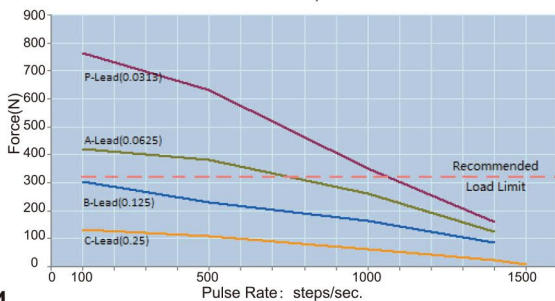
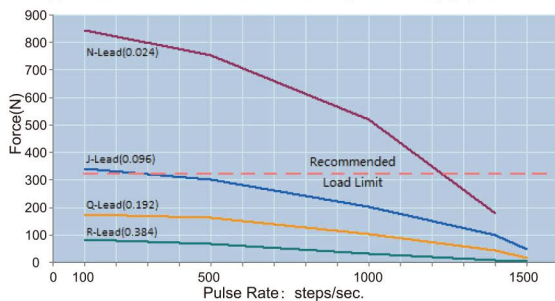
Hybrid Linear Stepper Motor

Code	Leadscrew Thread Dimension		
	Diameter	Step	Lead
N	7/32	0.00012	0.024
J	7/32	0.00048	0.096
Q	7/32	0.00096	0.192
R	7/32	0.00192	0.384
P	1/4	0.00015625	0.03125
AB	1/4	0.000197	0.0394
9	1/4	0.00025	0.05
A	1/4	0.0003125	0.0625
3	1/4	0.0005	0.1
B	1/4	0.000625	0.125
1	1/4	0.001	0.2
C	1/4	0.00125	0.25
UA	1/4	0.00167	0.333
Y	1/4	0.0025	0.5
Z	1/4	0.005	1

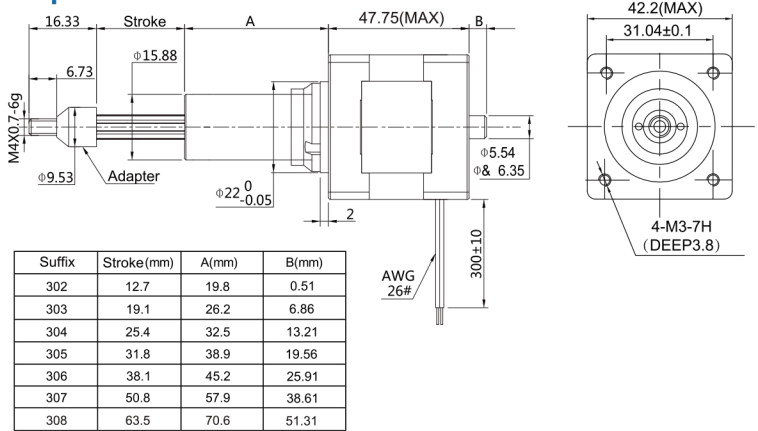
(Units:Inches)

Force vs.Pulse Rate

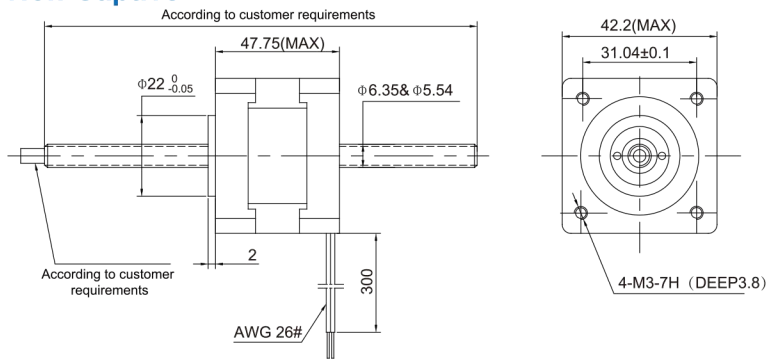
Chopper drive : motor 2.33V and power supply 24V



Captive



Non-Captive



External Linear

