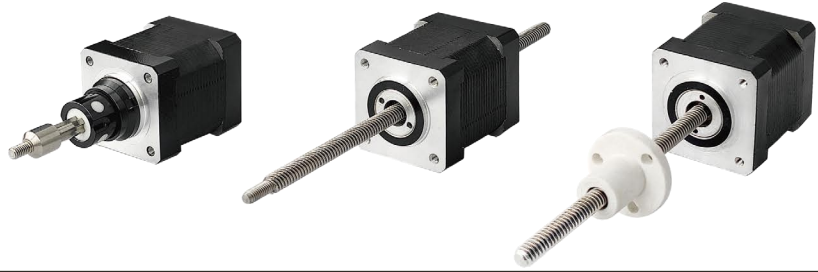


35000 SERIES SIZE 14 DOUBLE STACK HYBRID LINEAR STEPPER ACTUATOR



Hybrid Linear Stepper Motor

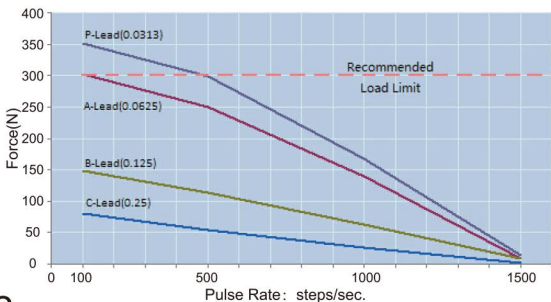
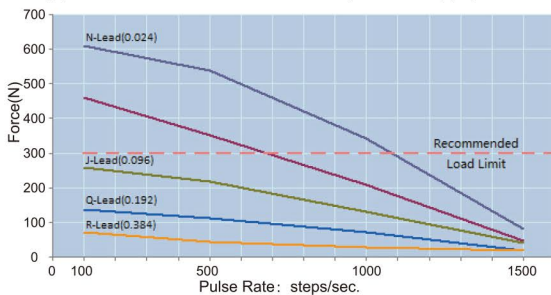
Size11:28mm Double Stack Hybrid Linear Stepper Motor(1.8°Step Angle)											
Captive	Non-captive	External Lin.	Wiring	Rated voltage	Rated current	Resistance /phase	Inductance /phase	Power consumption	Temperature rise	Weight	Insulation resistance
35CC4(X)-V	35NC4(X)-V	35EC4(X)-V	Bipolar	2.33V	2A	1.2Ω	1.95mH	9.1W	75°C	240g	20MΩ
				5V	0.91A	5.5Ω	7.63mH				
				12V	0.38A	31.6Ω	35.6mH				

Code	Leadscrew Thread Dimension		
	Diameter	Step	Lead
N	7/32	0.00012	0.024
J	7/32	0.00048	0.096
Q	7/32	0.00096	0.192
R	7/32	0.00192	0.384
P	1/4	0.00015625	0.03125
AB	1/4	0.000197	0.0394
9	1/4	0.00025	0.05
A	1/4	0.0003125	0.0625
3	1/4	0.0005	0.1
B	1/4	0.000625	0.125
1	1/4	0.001	0.2
C	1/4	0.00125	0.25
UA	1/4	0.00167	0.333
Y	1/4	0.0025	0.5
Z	1/4	0.005	1

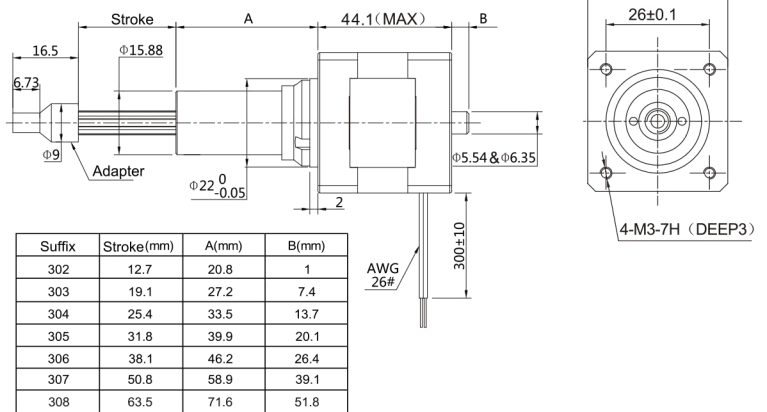
(Units:Inches)

Force vs.Pulse Rate

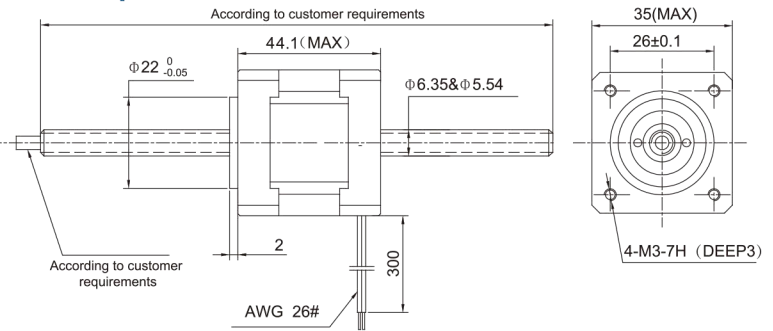
Chopper drive : motor 2.33V and power supply 24V



Captive



Non-Captive



External Linear

