

# 86000 SERIES SIZE 34 LINEAR STEPPER ACTUATOR



| Size11:28mm Hybrid Linear Stepper Motor(1.8°Step Angle) |               |         |               |               |                   |                   |                   |                  |        |                       |
|---|---------------|---------|---------------|---------------|-------------------|-------------------|-------------------|------------------|--------|-----------------------|
| Non-captive   | External Lin. | Wiring  | Rated voltage | Rated current | Resistance /phase | Inductance /phase | Power consumption | Temperature rise | Weight | Insulation resistance |
| 86NA4(X)-V  | 86EA4(X)-V    | Bipolar | 2.85V         | 5.47A         | 0.52Ω             | 2.86mH            | 31.2W             | 75°C             | 2.3kg  | 20MΩ                  |
|   |               |         | 5V            | 3.12A         | 1.6Ω              | 8.8mH             |                   |                  |        |                       |
|   |               |         | 12V           | 1.3A          | 9.23Ω             | 57mH              |                   |                  |        |                       |

| Code     | Leadscrew Thread Dimension |          |       |
|----------|----------------------------|----------|-------|
|          | Diameter                   | Step     | Lead  |
| <b>3</b> | 5/8                        | 0.0005   | 0.1   |
| <b>B</b> | 5/8                        | 0.000625 | 0.125 |

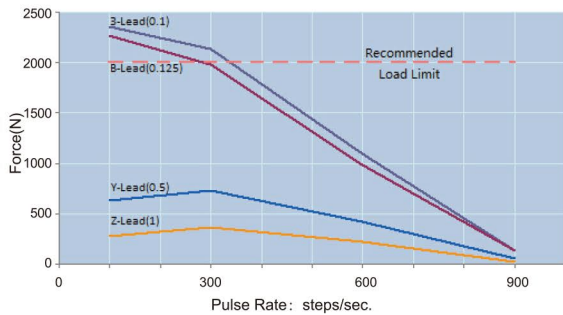
(Units:Inches)

| Code     | Leadscrew Thread Dimension |        |      |
|----------|----------------------------|--------|------|
|          | Diameter                   | Step   | Lead |
| <b>Y</b> | 5/8                        | 0.0025 | 0.5  |
| <b>Z</b> | 5/8                        | 0.005  | 1    |

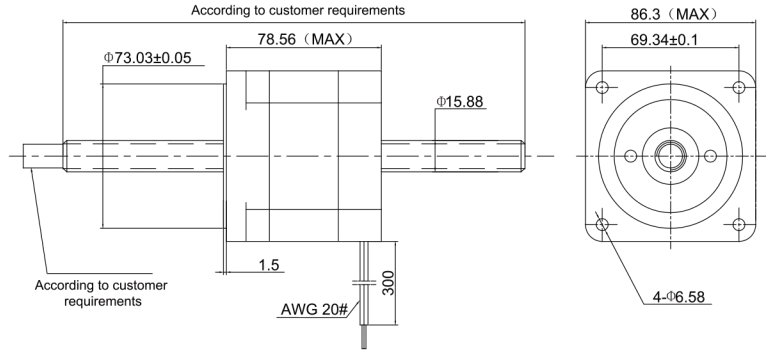
(Units:Inches)

## Force vs.Pulse Rate

Chopper drive : motor 5V and power supply 24V



## Non-Captive



## External Linear

