

35000 SERIES SIZE 14 LINEAR STEPPER ACTUATOR



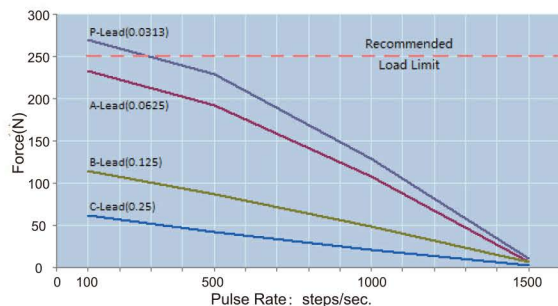
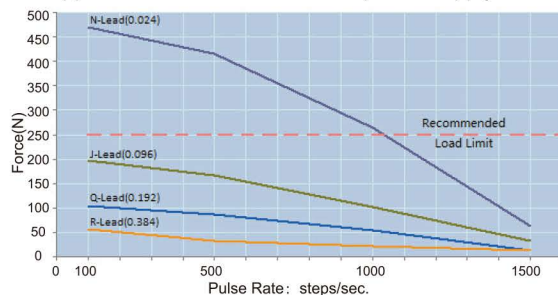
Size11:28mm Hybrid Linear Stepper Motor(1.8°Step Angle)											
Captive	Non-captive	External Lin.	Wiring	Rated voltage	Rated current	Resistance /phase	Inductance /phase	Power consumption	Temperature rise	Weight	Insulation resistance
35CA4(X)-V	35NA4(X)-V	35EA4(X)-V	Bipolar	2.33V	1.25A	1.86Ω	2.8mH	5.7W	75°C	162g	20MΩ
				5V	0.57A	8.8Ω	13mH				
				12V	0.24A	50.5Ω	60mH				

Code	Leadscrew Thread Dimension		
	Diameter	Step	Lead
N	7/32	0.00012	0.024
J	7/32	0.00048	0.096
Q	7/32	0.00096	0.192
R	7/32	0.00192	0.384
P	1/4	0.00015625	0.03125
AB	1/4	0.000197	0.0394
9	1/4	0.00025	0.05
A	1/4	0.0003125	0.0625
3	1/4	0.0005	0.1
B	1/4	0.000625	0.125
1	1/4	0.001	0.2
C	1/4	0.00125	0.25
UA	1/4	0.00167	0.333
Y	1/4	0.0025	0.5
Z	1/4	0.005	1

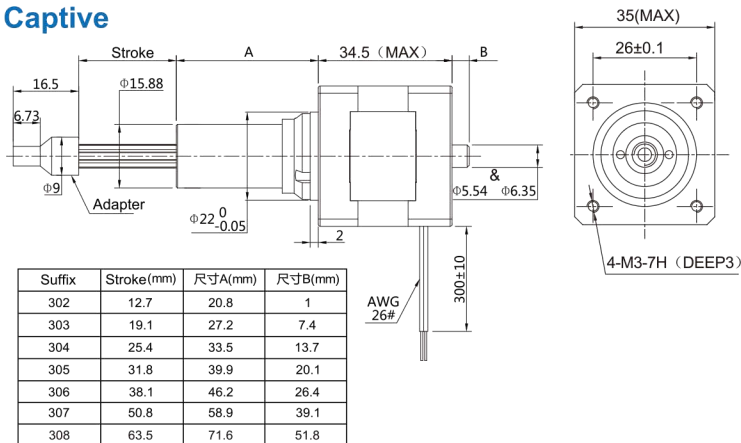
(Units:Inches)

Force vs.Pulse Rate

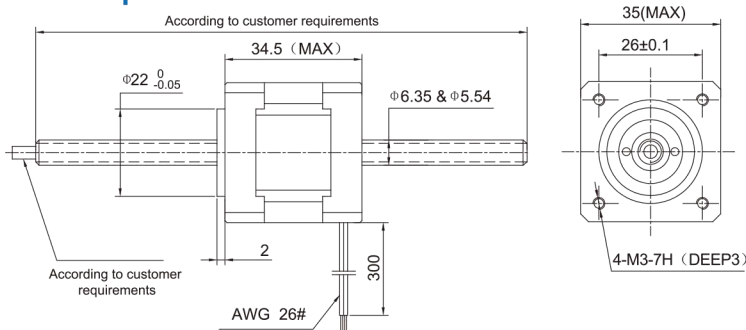
Chopper drive : motor 2.33V and power supply 24V



Captive



Non-Captive



External Linear

